



Twin City Fan Companies, Ltd.

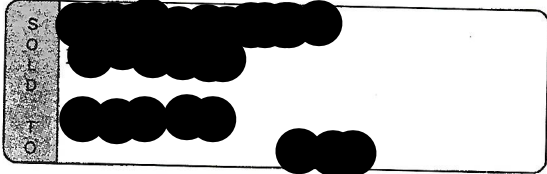
Designers & Manufacturers of Air Moving Equipment

5959 Trenton Lane · Minneapolis, MN 55442-3238
Phone (763) 551-7600 · Fax (763) 551-7601 · www.twincityfan.com

SHOP ORDER NO. 241691

Page 1 of _

SHOP ORDER DATE: 9/12/2007



A/R TERMS: NET 30

P.O. NUMBER [REDACTED]	SHIPPED VIA/ROUTING/MARK SHIPMENT [REDACTED]
FREIGHT TERMS [REDACTED]	[REDACTED]

Row #. 1 Facility: ELKTON 1
 Ship : 10/12/07S Hub:

Qty : 1 Rot: CW Bshng: P1 1 7/16 MALLEABLE
 Size : 15R08A Disch: UBD Shaft: 1-7/16 X BC241691-001-00
 Type : TPB Hsg Mtl: CAST ALU SPECIAL
 Width: SW Whl Mtl: CAST ALU
 Arr : 9L Drw: BC241691-001-00 Brg: (1) BEARING, PB 1 7/16 HDB
 Rpm: 2138 (1) BEARING, PB 1 7/16 HDB

Motor: M07023621AE2000
 1 1/2 HP 1800RPM TEFC Drives : CONSTANT SPEED
 3/60/208-230-460

Furn By: Tcf Mtd By: Tcf Furn By: Tcf
 Frame Size: 145T Mtr Pos: L Mtd By: Tcf
 Ref PO: 356773

Accessories: *NEMA SLIDE BASE
 *GUARD-BELT, OSHA TYPE
 STEEL
 Coming On PO: 356774
 *GUARD-SHAFT & BEARING
 STEEL
 *FLANGE-INLET, PUNCHED
 *FLANGE-OUTLET, PUNCHED
 *SHAFT SEAL-STD TYPE
 *MOUNT TCF MOTOR
 *UNDERSIZED MOTOR FRAME
 *SPECIAL REQUIREMENTS PER DRAWING BC241691-001-00

Spec Mark: UNICRETE 2
 Total Weight: 296

***** Order Comments *****
 ANY BROKERAGE CHARGES OR OTHER BORDER FEES ARE TO BE FOR
 THE ACCOUNT OF THE SHIP TO ADDRESS (UNICRETE)
 CUSTOMER'S BROKER IS CALGARY CUSTOM BROKER

*** Continued On The Next Page ***

REP: BECKERT & HIESTER, INC. FOR B& SHIPING WEEK:10/12/07 SHOP ORDER NO. 241691
 CUST:KLU

Office Copy



Twin City Fan & Blower

A Twin City Fan Company

5959 Trenton Lane · Minneapolis, MN 55442-3238
Phone (763) 551-7600 · Fax (763) 551-7601 · www.tcf.com



Customer: [REDACTED]
Job Name: [REDACTED]
Job ID: [REDACTED]

September 12, 2007
Page: 31

Sold & Invoice To

[REDACTED]

SO#: 241691

[REDACTED]

Ship To

[REDACTED]

[REDACTED]

Tag: Unicrete 2

Description: for B&H Pulse Jet

Entered Using Quick Selector

Product Description

(5)
BC 241691-001-00

Quantity	Size	Type	Width	Arr.	Class	Rot	Disch	% Width	% Dia	Mtr. Pos.
1	15R08A	TPB	SWSI	9	N/A	CW	UBD	100	100	NA

Fan Performance

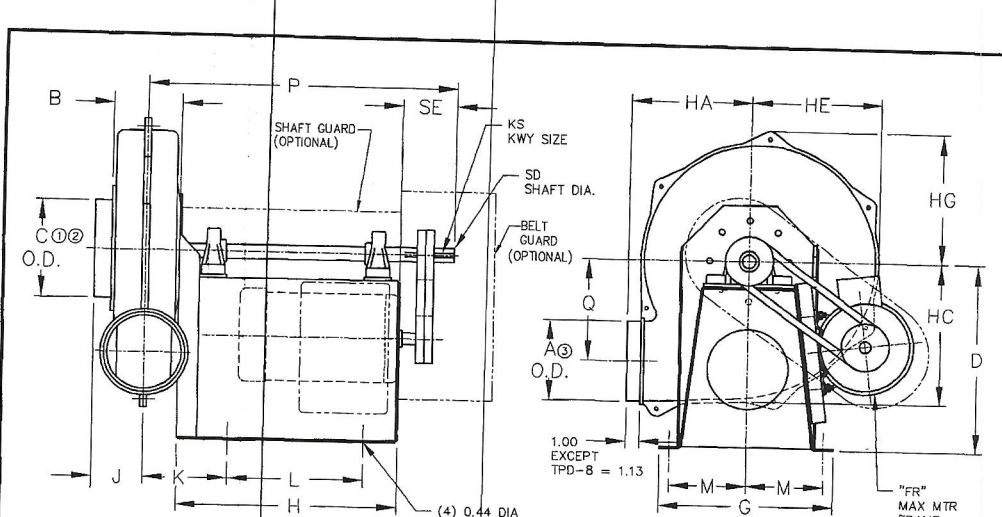
CFM	SP @ Std	SP @ Cond	Density	Temp	Elev	RPM	BHP @ Std	BHP @ Cond	Outlet Velocity
1,000	5	5	0.075	70	0	2138	1.39	1.39	2,865
	in.wg	in.wg	lb/ft ³	°F	ft				fpm

Weight	Codes	Description	Price each
205		TPB 15R08A Bare fan	/
	4003 1001	Flange - Inlet, Punched	/
	4003 1006	Flange - Outlet, Punched	/
	8004 1002	Guard - Belt, OSHA Type	/
	10004 1005	Guard - Shaft & Bearing	/
	0016 1001	Shaft Seal - Std Type	/
53		1-1/2 HP, 1800 RPM, 230/460V, 3Ph, 60Hz, TEFC, Std. Eff./EPACT*, 145T	* 208 /
	0075 1001	Mount TCF Motor	/
12		Constant Speed V-belt Drive, 1.5 SF	/

Bl-39 undersized motor frame
296 lb. Total Weight per Fan
79-39 spec dwg

296 lb. Extended Weight

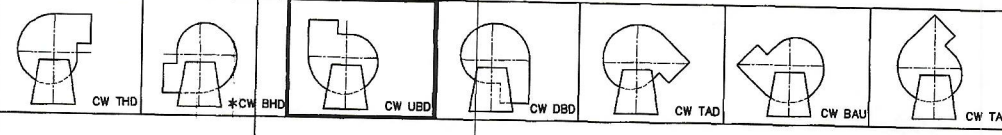
Total List
Multiplier
Net Each
Extended Net
Commission
Selling Price excluding S&H



- ① = TPB-14 ALSO AVAILABLE WITH 6" AND 8" INLETS
- ② = TPB-15 AND TPB-18 ALSO AVAILABLE WITH 6" AND 10" INLETS
- ③ = ALL MODELS, DISCHARGE FLANGE NOT AVAILABLE FOR DOWN BLAST POSITION.

NOTES:
 01. CW SHOWN, CCW SIMILAR BUT OPPOSITE
 02. SEE AC1001220 FOR OPTIONAL INLET FLANGE AND OUTLET FLANGE DIMENSIONS.
 **03. NOMINAL INLET & OUTLET DIMENSIONS.
 04. ARR. 1-LESS MOTOR
 ARR. 9-WITH MOTOR

* STANDARD POSITION & ROTATION



TPB CAST ALUMINUM PRESSURE BLOWER
 ARR 1 & 9 ROTATABLE

TWIN CITY FAN & BLOWER
 5959 TAYLOR LANE MINNEAPOLIS, MN 55418
 MEMBER OF AIR MOVEMENT AND CONTROL ASSOC.

DRAWN	03/6/04						
REVISED	4/9/05						
JOB:							
LOC:							
ENG./ARCH:							
CERT. BY:							
S.O. NO. 241691							
SIZE	15R08A	DISCH	UBD	ROT.	CW	UNIT	NO.
CFM	1000	SP	5	RPM	2138	BHP	1.39
		Ov	2865	TS			006

- ACCESSORIES REQ'D
1. FLANGE - INLET, PUNCHED PER AC1001220
 2. FLANGE - OUTLET, PUNCHED PER AC1001220
 3. GUARD - BELT, OSHA TYPE
 4. GUARD - SHAFT & BEARINGS
 5. SHAFT SEAL - STD. TYPE
 6. MOTOR DATA: 1-1/2 HP, 1800 RPM, 3/63/208, TEFC, STD-EFF./EP ACT, 145T FRAME FURN. & MTD BY TCF
 7. CONSTANT SPEED V-BELT DRIVE, 1.5 SF FURN & MTD BY TCF
 8. SHAFT PER ASI001168 (SH4272)

BELT CENTER: MIN 15.0
 MA: 17.0

REV	ECN	DATE	BY	CHK	DESCRIPTION
A		09/25/07	SJL	RIP	ADDED SHAFT

HOUSING SIZE	③ A**	B	C** ③	D	FR	G	H	HA	HC	HE	HG	J	K	KS	L	M	P	Q	SD	SE	HOUSING SIZE
TPB-15	8.00	7.25	8.00 ③	23.00	145T	19.00	25.75	10.81	12.81	11.38	10.81	4.88	7.38	.38x.19	19.50	8.63	33.38	7.88	1.44	4.00	TPB-15

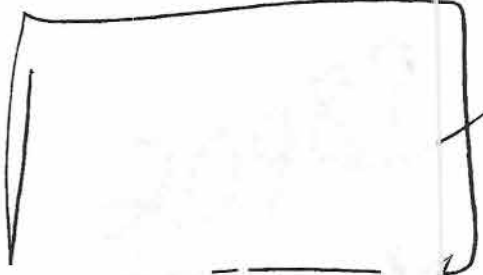


Weight: 382 COD \$: 0.00

Terms: Prepaid TCF Carrier Rate Quote: .00
1 CRATE ROTARY BLOWER

Carrier Terms: 85.0 382 Ship Date: 10/24/2007

- CMP 241691 1 1 TPB CL SW A9 SZ15R08A FAN 0.00
- CMP 241691 1 1 HSG ASSY, CA-15 AR-1&9 CW/CCW
- CMP 241691 1 1 CAPB WHL R15.5X5XP1
- CMP 241691 1 1 P1 1 7/16 BUSHING MALLEABLE
- CMP 241691 1 1 1-7/16 X BC241691-001-00
- CMP 241691 1 1 BEARING, PB 1 7/16 HDB
- CMP 241691 1 1 BEARING, PB 1 7/16 HDB
- CMP 241691 1 1 1 1/2 HP 1800RPM TEFC
- CMP 241691 1 1 CONSTANT SPEED
- CMP 241691 1 1 NEMA SLIDE BASE
- CMP 241691 1 1 GUARD-BELT, OSHA TYPE
- CMP 241691 1 1 GUARD-SHAFT & BEARING
- CMP 241691 1 1 FLANGE-INLET, PUNCHED
- CMP 241691 1 1 FLANGE-OUTLET, PUNCHED
- CMP 241691 1 1 SHAFT SEAL-STD TYPE
- CMP 241691 1 1 MOUNT TCF MOTOR
- CMP 241691 1 1 UNDERSIZED MOTOR FRAME
- CMP 241691 1 1 SPECIAL REQUIREMENTS PER



Handwritten signature and scribbles